

10 9 8 7 6 5 4 3 2 1

F F

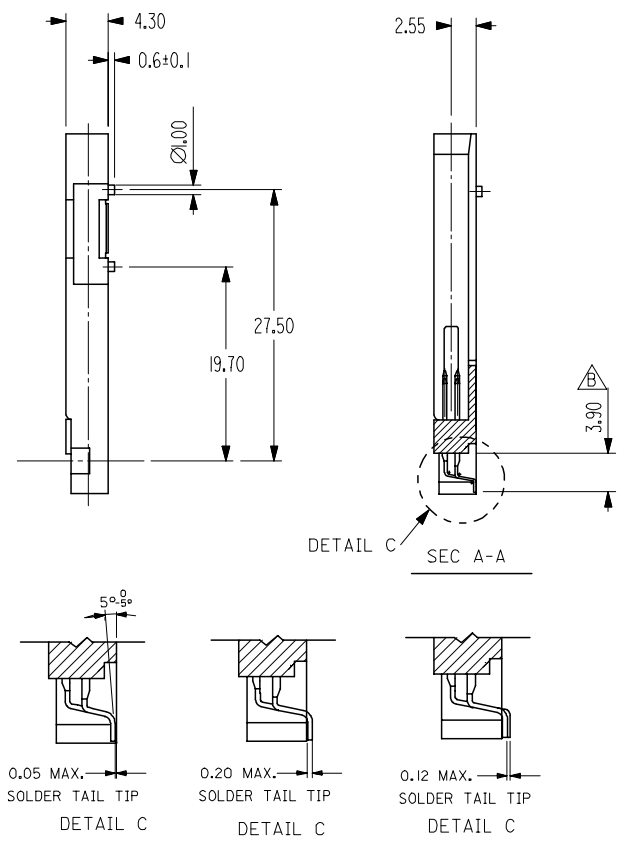
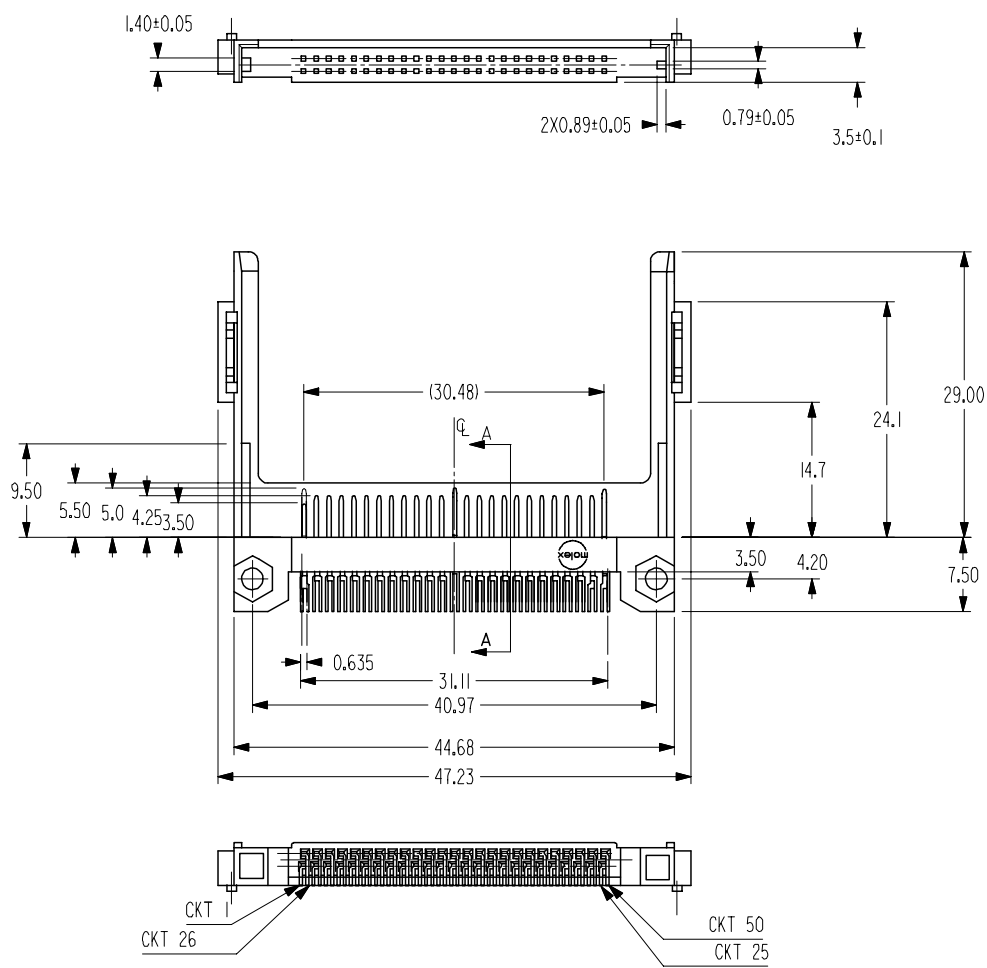
E E

D D

C C

B B

A A



L/F AND NEW PART EC NO: SH2005-0087 DRAWN: JIAN 2004/09/24 CHKD: JG 2004/09/27 APPR: YIYAP 2004/09/28	QUALITY SYMBOLS	GENERAL TOLERANCES (UNLESS SPECIFIED)	DIMENSION STYLE	SCALE	DESIGN UNITS	THIRD ANGLE PROJECTION
	▽=0 ▽=0	mm INCH 4 PLACES ± --- ± --- 3 PLACES ± --- ± --- 2 PLACES ± 0.15 ± --- 1 PLACE ± 0.15 ± --- ANGULAR ± 2 °	MM ONLY	2:1	METRIC	DRAWN BY DATE JACK LIN 1998/08/06 CHECKED BY DATE WALLY WA 1998/08/06 APPROVED BY DATE MEGA LIN 1998/08/06 MATERIAL NO. 671550001
	DESCRIPTION	DRAFT WHERE APPLICABLE MUST REMAIN WITHIN DIMENSIONS	TITLE	50 CIRCUITS CF LOW PROFILE HEADER (REVERSE TYPE)	DOCUMENT NO.	SHEET NO.
	REV		SIZE	A3	SD-67155-001	1 OF 4

9 8 7 6 5 4 3 2 1

10 9 8 7 6 5 4 3 2 1

F

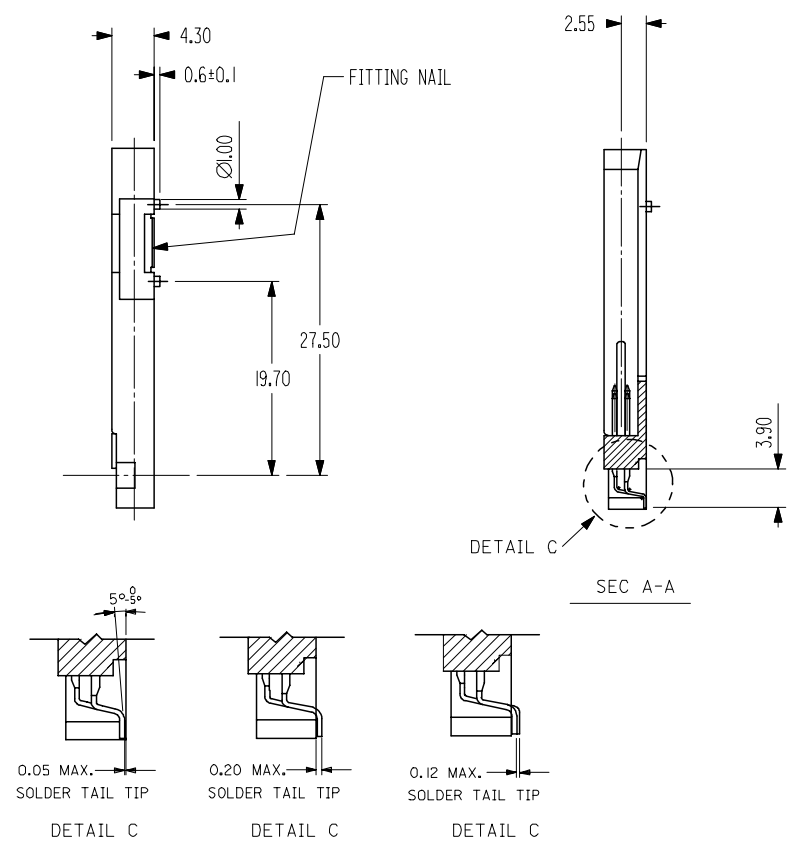
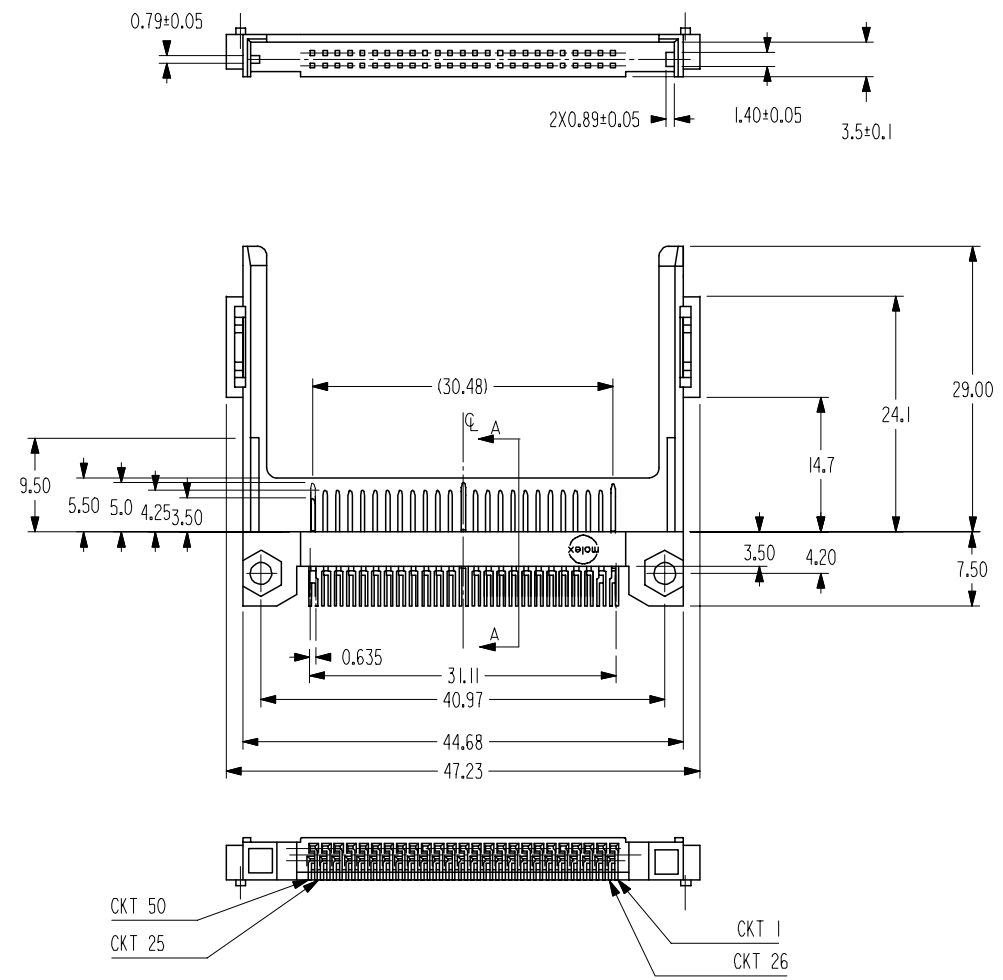
E

D

C

B

A



L/F AND NEW PART EC NO: SH2005-0087 DRAWN: JIAN 2004/09/24 CHKD: GRATE WA 2004/09/27 APPR: YIYAP 2004/09/28	QUALITY SYMBOLS ▽=0 ▽=0	GENERAL TOLERANCES (UNLESS SPECIFIED)		DIMENSION STYLE MM ONLY		SCALE 2:1	DESIGN UNITS METRIC	THIRD ANGLE PROJECTION		
			mm	INCH	DRAWN BY JACK LIN	DATE 1998/08/06	TITLE 50 CIRCUITS CF LOW PROFILE HEADER (STANDARD TYPE)			
		4 PLACES	± ---	± ---	CHECKED BY WALLY WA	DATE 1998/08/06				
		3 PLACES	± ---	± ---	APPROVED BY MEGA LIN	DATE 1998/08/06	MOLEX INCORPORATED			
2 PLACES	± 0.15	± ---	MATERIAL NO. 671550002		DOCUMENT NO. SD-67155-001	SHEET NO. 2 OF 4				
1 PLACE	± 0.15	± ---	DRAFT WHERE APPLICABLE MUST REMAIN WITHIN DIMENSIONS		THIS DRAWING CONTAINS INFORMATION THAT IS PROPRIETARY TO MOLEX INCORPORATED AND SHOULD NOT BE USED WITHOUT WRITTEN PERMISSION					

9 8 7 6 5 4 3 2 1

10 9 8 7 6 5 4 3 2 1

F

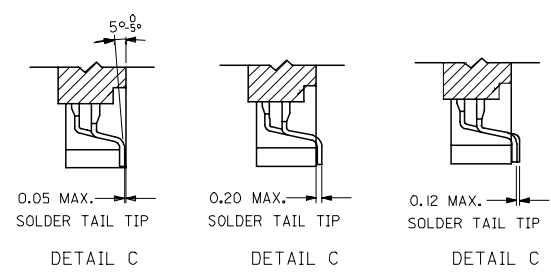
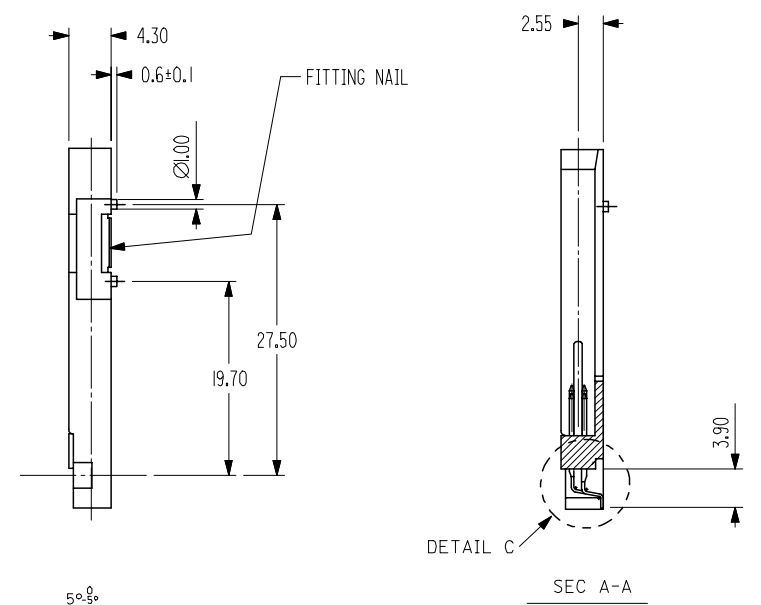
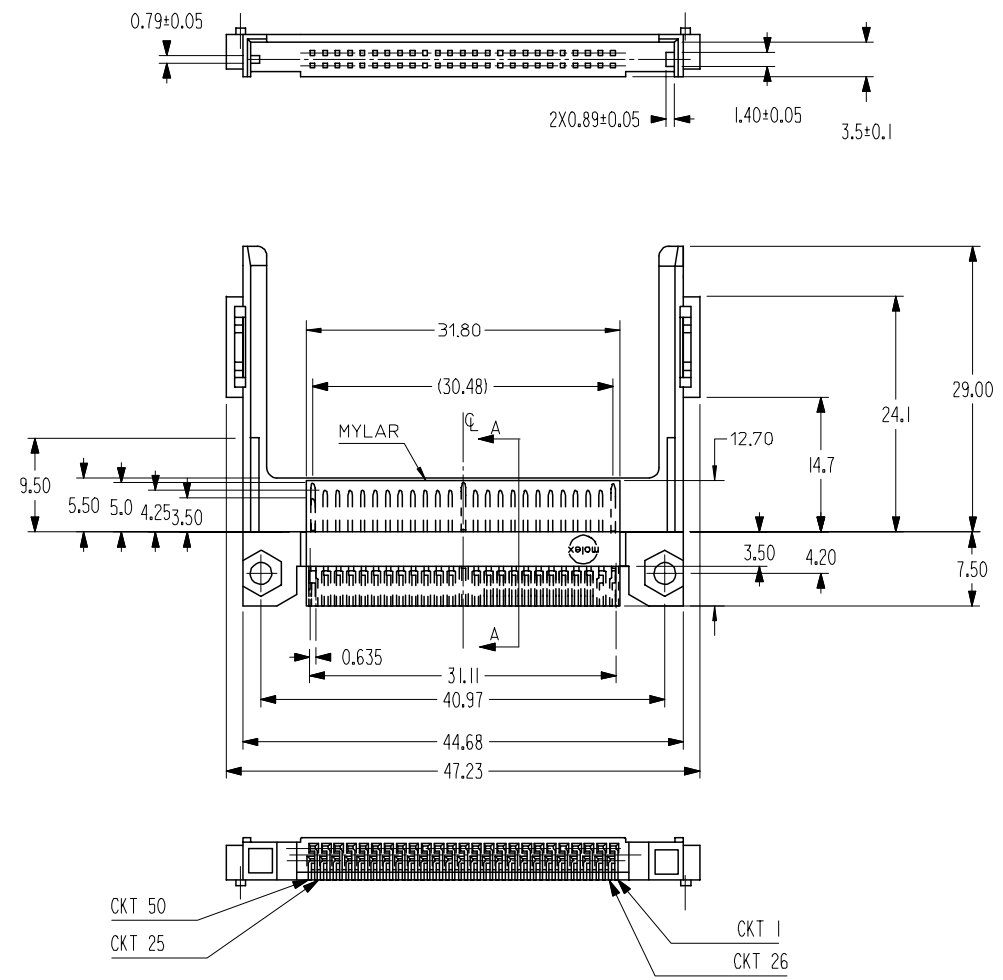
E

D

C

B

A



L/F AND NEW PART EC NO: SH2005-0087 DRAWN: JIAN CHKD: GRATE WA APPR: YIYAP	2004/09/24 2004/09/27 2004/09/28	DESCRIPTION REV	QUALITY SYMBOLS	GENERAL TOLERANCES (UNLESS SPECIFIED)	DIMENSION STYLE	SCALE	DESIGN UNITS	THIRD ANGLE PROJECTION
			$\nabla=0$ $\sphericalangle=0$	mm INCH 4 PLACES ± --- ± --- 3 PLACES ± --- ± --- 2 PLACES ± 0.15 ± --- 1 PLACE ± 0.15 ± --- ANGULAR ± 2 °	MM ONLY DRAWN BY DATE JACK LIN 1998/08/06 CHECKED BY DATE WALLY WA 1998/08/06 APPROVED BY DATE MEGA LIN 1998/08/06	2:1	METRIC	TITLE 50 CIRCUITS CF LOW PROFILE HEADER (STANDARD WITH MYLAR)
			DRAFT WHERE APPLICABLE MUST REMAIN WITHIN DIMENSIONS	MATERIAL NO. 671550003	DOCUMENT NO. SD-67155-001	SHEET NO. 3 OF 4		
			THIS DRAWING CONTAINS INFORMATION THAT IS PROPRIETARY TO MOLEX INCORPORATED AND SHOULD NOT BE USED WITHOUT WRITTEN PERMISSION					

9 8 7 6 5 4 3 2 1

10 9 8 7 6 5 4 3 2 1

F F

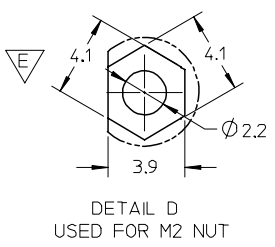
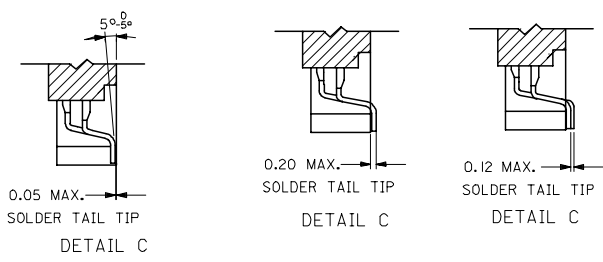
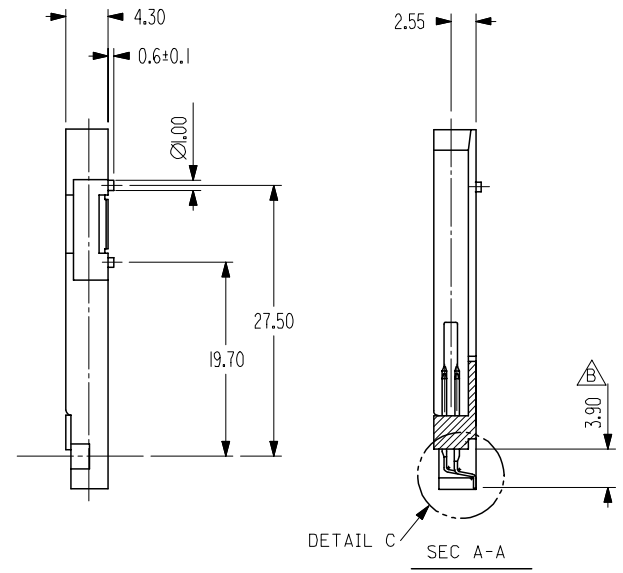
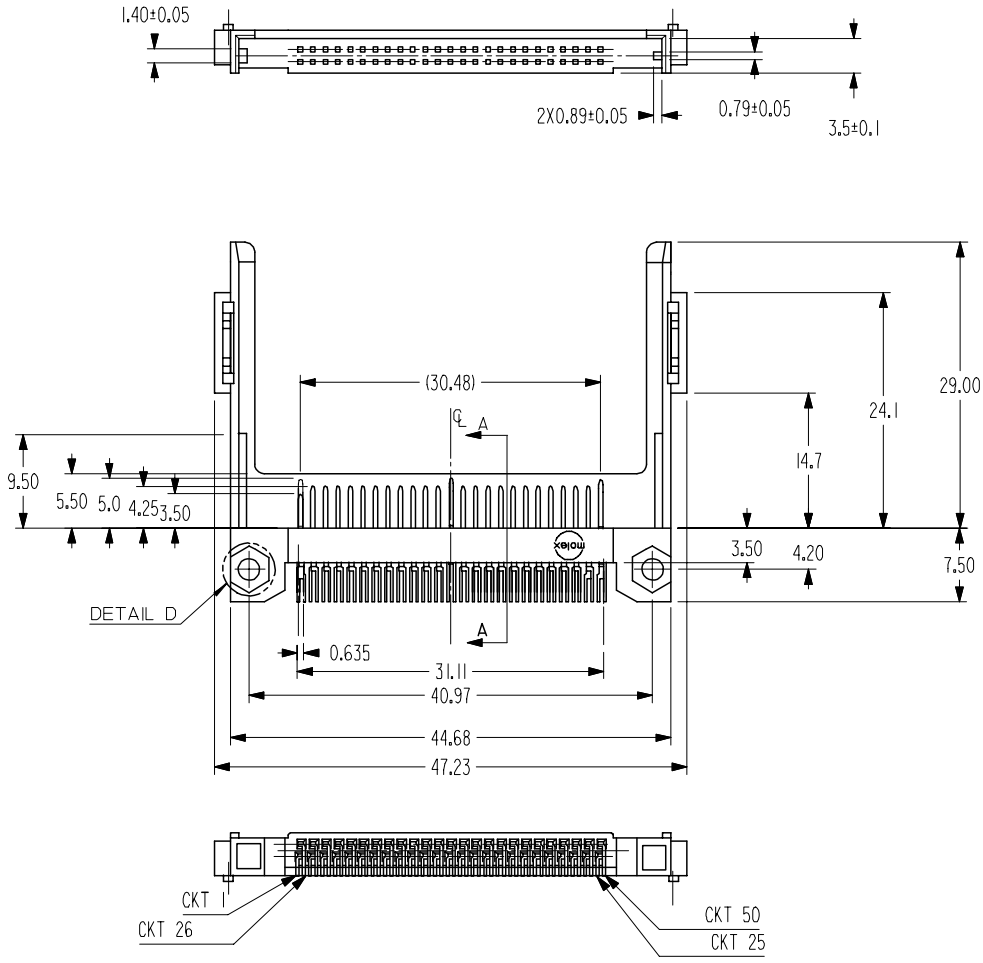
E E

D D

C C

B B

A A



REVISED	DESCRIPTION
EC NO: SH2007-0727	2007/04/10
DRWN: BCHENZ6	2007/04/11
CHKD: JTIAN	2007/04/11
APPR: INCHEH	2007/04/16

QUALITY SYMBOLS	DESCRIPTION
▽=0	
△=0	

GENERAL TOLERANCES (UNLESS SPECIFIED)		
	mm	INCH
4 PLACES	± ---	± ---
3 PLACES	± ---	± ---
2 PLACES	± 0.15	± ---
1 PLACE	± 0.15	± ---
ANGULAR ± 2 °		
DRAFT WHERE APPLICABLE MUST REMAIN WITHIN DIMENSIONS		

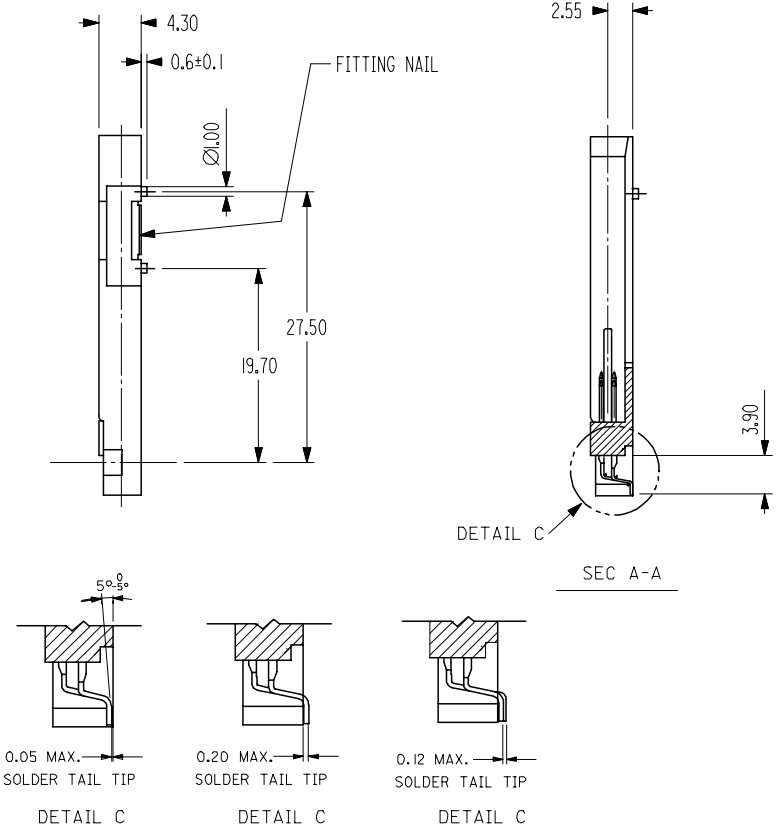
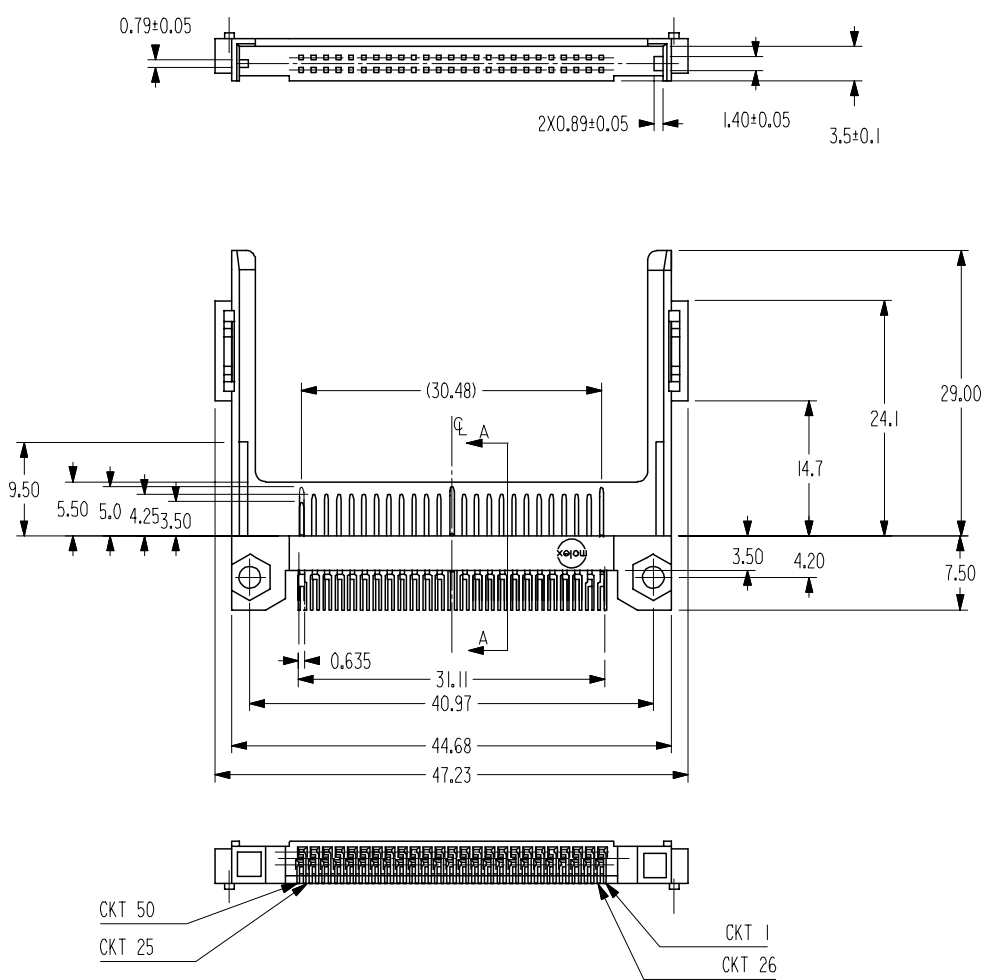
DIMENSION STYLE		SCALE	DESIGN UNITS	THIRD ANGLE PROJECTION
MM ONLY		2:1	METRIC	
DRAWN BY	DATE	TITLE		
JACK LIN	1998/08/06	50 CIRCUITS CF LOW PROFILE HEADER		
CHECKED BY	DATE			
WALLY WA	1998/08/06			
APPROVED BY	DATE	MOLEX INCORPORATED		
MEGA LIN	1998/08/06	MOLEX INCORPORATED		
MATERIAL NO.	DOCUMENT NO.	SHEET NO.		
671550001	SD-67155-001	1 OF 4		

DRAFT WHERE APPLICABLE MUST REMAIN WITHIN DIMENSIONS		
SIZE	THIS DRAWING CONTAINS INFORMATION THAT IS PROPRIETARY TO MOLEX INCORPORATED AND SHOULD NOT BE USED WITHOUT WRITTEN PERMISSION	
A3		

9 8 7 6 5 4 3 2 1

10 9 8 7 6 5 4 3 2 1

F
E
D
C
B
A



REVISED	DESCRIPTION
EC NO: SH2007-0727	2007/04/10
DRWN: BCHENZ6	2007/04/11
CHKD: JTIAN	2007/04/11
APPR: JNCHEN	2007/04/16

QUALITY SYMBOLS	DESCRIPTION
▽=0	
△=0	

GENERAL TOLERANCES (UNLESS SPECIFIED)	mm	INCH
4 PLACES	± ---	± ---
3 PLACES	± ---	± ---
2 PLACES	± 0.15	± ---
1 PLACE	± 0.15	± ---
ANGULAR ± 2 °		
DRAFT WHERE APPLICABLE MUST REMAIN WITHIN DIMENSIONS		

DIMENSION STYLE		SCALE	DESIGN UNITS	THIRD ANGLE PROJECTION
MM ONLY		2:1	METRIC	
DRAWN BY	DATE	TITLE		
JACK LIN	1998/08/06	50 CIRCUITS CF LOW PROFILE HEADER		
CHECKED BY	DATE	MOLEX INCORPORATED		
WALLY WA	1998/08/06	MOLEX INCORPORATED		
APPROVED BY	DATE	DOCUMENT NO.		
MEGA LIN	1998/08/06	SD-67155-001		
MATERIAL NO.		DOCUMENT NO.		SHEET NO.
671550002		SD-67155-001		2 OF 4
SIZE	THIS DRAWING CONTAINS INFORMATION THAT IS PROPRIETARY TO MOLEX INCORPORATED AND SHOULD NOT BE USED WITHOUT WRITTEN PERMISSION			
A3				

9 8 7 6 5 4 3 2 1

10 9 8 7 6 5 4 3 2 1

F

E

D

C

B

A

F

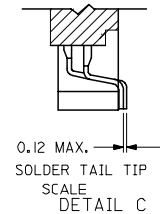
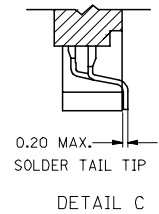
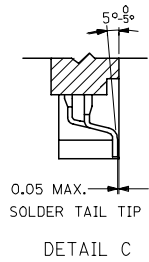
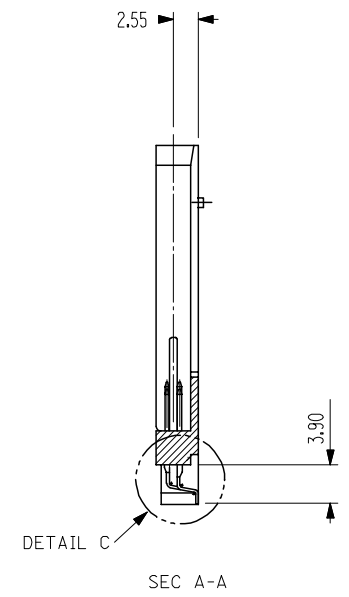
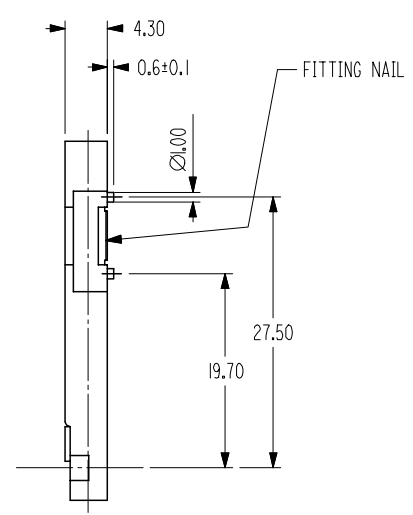
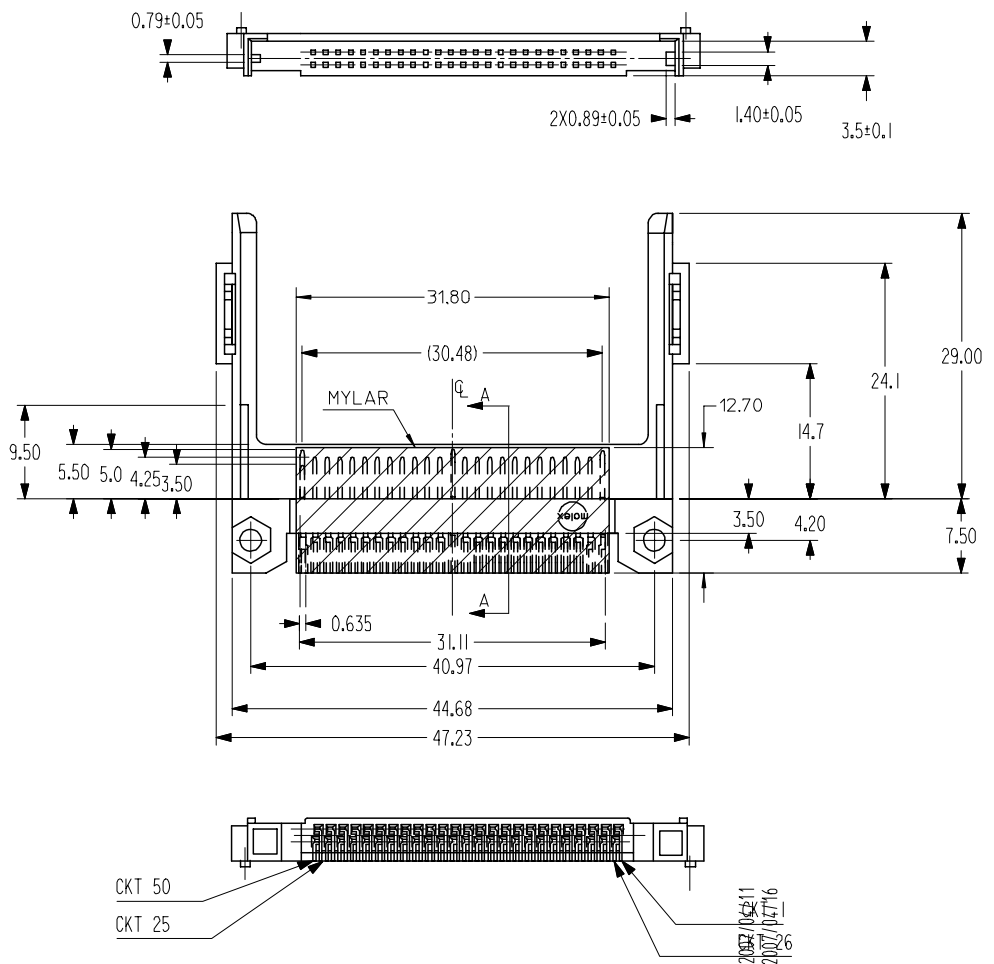
E

D

C

B

A

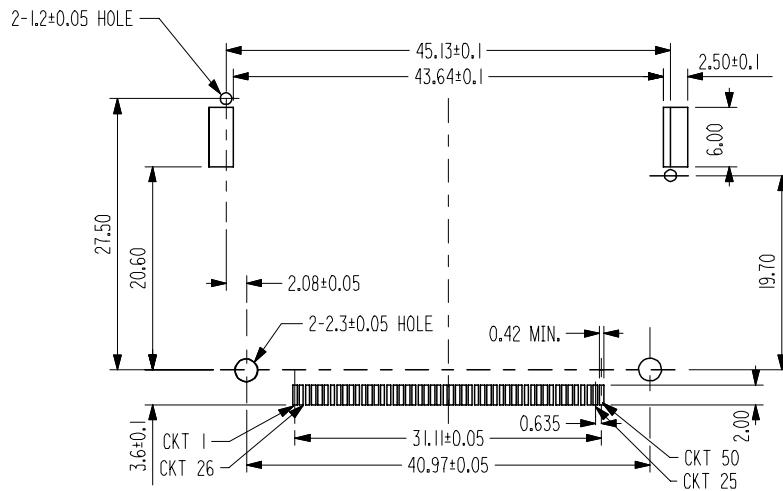


CKT 50
CKT 25

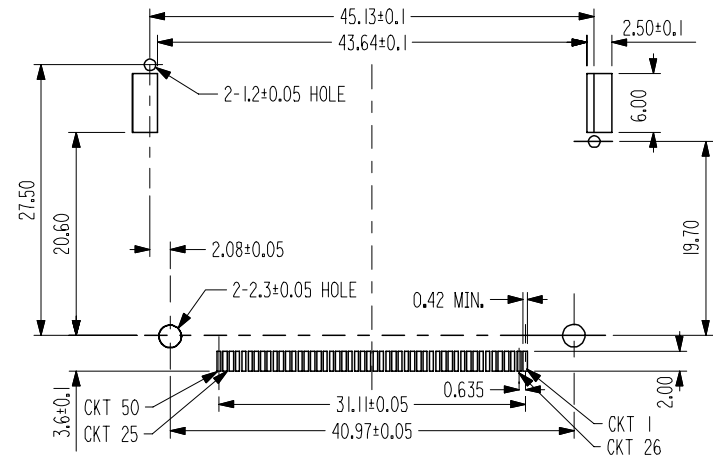
2007/06/11
2007/04/11
2007/04/16
2007/06/26

REVISED EC NO: SH2007-0727 DRWN: BCHENZ6 CHKD: JTIAN APPR: JNCHEN	DESCRIPTION REV	QUALITY SYMBOLS ▽=0 ▽=0	GENERAL TOLERANCES (UNLESS SPECIFIED)		DIMENSION STYLE MM ONLY		2:1	DESIGN UNITS METRIC	THIRD ANGLE PROJECTION	
		4 PLACES ± --- ± --- 3 PLACES ± --- ± --- 2 PLACES ± 0.15 ± --- 1 PLACE ± 0.15 ± ---	mm INCH	DRAWN BY JACK LIN	DATE 1998/08/06	TITLE 50 CIRCUITS CF LOW PROFILE HEADER				
		ANGULAR ± 2 °		CHECKED BY WALLY WA	DATE 1998/08/06					
		DRAFT WHERE APPLICABLE MUST REMAIN WITHIN DIMENSIONS		APPROVED BY MEGA LIN		DATE 1998/08/06	MOLEX INCORPORATED		DOCUMENT NO. SD-67155-001	SHEET NO. 3 OF 4

9 8 7 6 5 4 3 2 1



RECOMMENDED PCB LAYOUT
REVERSE TYPE



RECOMMENDED PCB LAYOUT
STANDARD TYPE

NOTES:

- MATERIAL : HOUSING: HIGH TEMP PLASTIC, UL94 V-0, COLOR: IVORY
TERMINAL: COPPER ALLOY
- PLATING: CONTACT AREA: AU OVER PD-NI
SOLDERING TAIL: TIN
NICKEL OVERALL
FITTING NAIL: TIN
NICKEL OVERALL
- RECOMMENDED PCB THICKNESS: 0.8MM

- THE COPLANARITY OF SOLDER TAILS SHOULD BE WITHIN 0.12 MM
- FOR PRODUCT SPECIFICATION: REFER TO PS-67155-003

PART NUMBER	DISCRIPTION	PACKAGING
67155-0001	REVERSE TYPE	TYAY PK-67155-001
67155-0002	STANDARD TYPE	
67155-0003	STANDARD TYPE WITH MYLAR	TAPE & REEL PK-67155-002
67155-0004	STANDARD TYPE WITH MYLAR	

REVISED	DESCRIPTION
EC NO: SH2007-0727	
DRWN: BCHENZ6	
CHKD: JTIAN	
APPR: JNCHEN	
REV	

QUALITY SYMBOLS	DESCRIPTION
▽=0	
▽C=0	

GENERAL TOLERANCES (UNLESS SPECIFIED)	mm	INCH
4 PLACES	± ---	± ---
3 PLACES	± ---	± ---
2 PLACES	± 0.15	± ---
1 PLACE	± 0.15	± ---
ANGULAR ± 2 °		
DRAFT WHERE APPLICABLE MUST REMAIN WITHIN DIMENSIONS		

DIMENSION STYLE MM ONLY	
DRAWN BY	DATE
JACK LIN	1998/08/06
CHECKED BY	DATE
WALLY WA	1998/08/06
APPROVED BY	DATE
MEGA LIN	1998/08/06
MATERIAL NO.	
SEE TABLE	

SCALE 2:1	DESIGN UNITS METRIC	THIRD ANGLE PROJECTION
TITLE 50 CIRCUITS CF LOW PROFILE HEADER		
MOLEX INCORPORATED		
DOCUMENT NO. SD-67155-001	SHEET NO. 4 OF 4	
THIS DRAWING CONTAINS INFORMATION THAT IS PROPRIETARY TO MOLEX INCORPORATED AND SHOULD NOT BE USED WITHOUT WRITTEN PERMISSION		